



RA2000

Flexibility, versatility, high performance and innovative design make the RA2000 an ideal floodlight for the lighting of sports facilities and wide areas. Available with three optics types: rotosymmetrical narrow beam, parabolic cylinder asymmetrical (possibility to regulate the lamp focus in three positions) or parabolic-cylinder symmetrical. The RA2000 has valves which guarantee air recycling in the inner parts of the floodlight. Standard colour: grey RAL 7021.

Specifications

- IP65 related - 230V 50Hz (400V 2000W)
- Scx: 0,22m² - max 11 kg

Features

- Body, frame and back cover: die cast aluminium alloy painted with grey RAL7021 polyester powders after a chromium plating treatment.
- Closure clips: aluminium alloy, mechanically extruded, natural colour.
- Reflector: Aluminium sheet P-AL 99.98%, polished, anodised and oxidised
- Closure screen: flat tempered glass, 5 mm thick. Available with sand-blasted or cercamic glass.
- Lamp holder: White porcelain mono-bloc with screw attack, type E40 for 1000W MT lamp and ceramic with K12s-7 attack for 1000-2000W MD lamps.
- Cable-gland: WI PG 13.5 nylon cable-gland.
- Fastening system: bracket made of painted steel, provided of goniometer to direct the floodlight.
- Ignitor: in the 2000W version, the ignitor is placed in a watertight box made of black technopolymer; that can be fastened to the bracket.

Accessories



- Light shade
- 01AT997R0**



- Hood
- 01AT998R0**



- Protection Grid
- 01AT998R0**



- Precision telescope to direct the floodlight
- 01AT996R0**



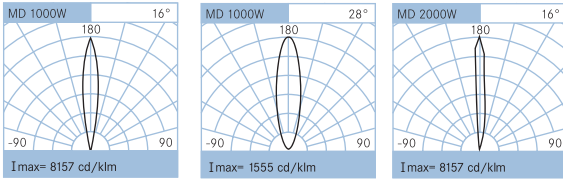
Photometric Data: Rotosymmetrical Narrow Beam

01AT002R4	MD	1000W	K12s-7	9000 lm
01AT011R4**	MD	1000W	K12s-7	9000 lm
01AT003R4	MD	2000W	K12s-7	20000 lm
01AT013R4*	MD	2000W	K12s-7	20000 lm
01AT014R4**	MD	2000W	K12s-7	20000 lm
01AT015R4***	MD	2000W	K12s-7	20000 lm

*Wiring with loose components

** Sandblasted glass

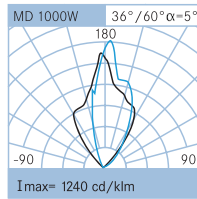
*** Sandblasted glass + wiring with loose components



H (m)	Ø (m)	Em (lux)	H (m)	Ø (m)	Em (lux)	H (m)	Ø (m)	Em (lux)
25	6,9	626	25	12,2	137	25	7,5	1305
20	5,5	978	20	9,7	215	20	5,9	2040
15	4,2	1739	15	7,3	381	15	4,5	3626
10	2,8	3914	10	4,9	858	10	3	8159
5	1,4	15655	5	2,4	3433	5	1,5	32636

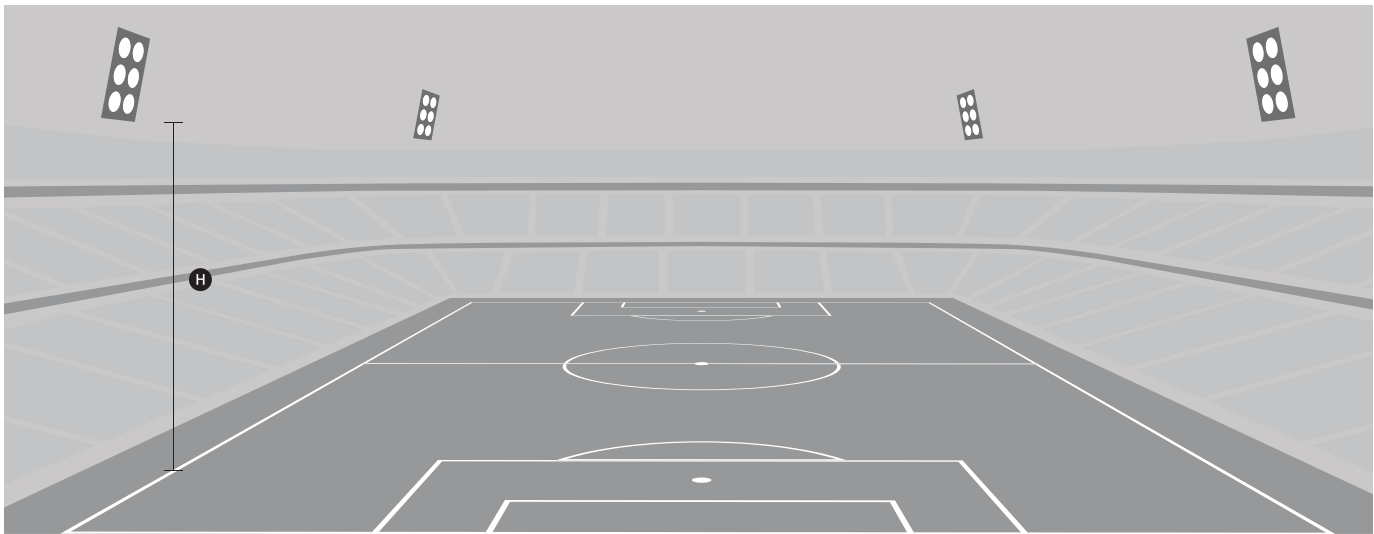
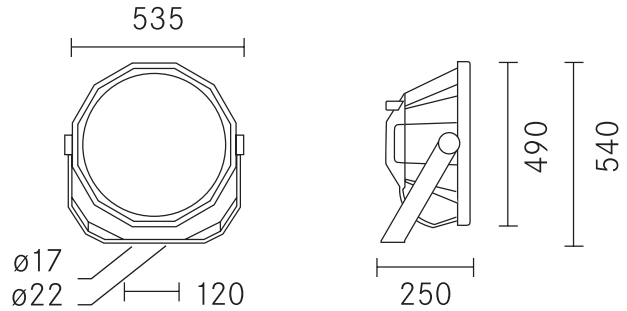
Photometric Data: Rectangular Optics

01AT102R4	MD	1000W	K12s-7	9000 lm
01AT202R4	MT	1000W	E40	8500 lm



H (m)	axb (m)	Em (lux)
25	16,9 x 28,5	72
20	13,5 x 22,8	112
15	10,1 x 17,1	199
10	6,8 x 11,4	449
5	3,4 x 5,7	1795

Dimensions

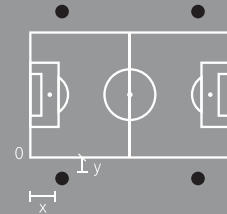


2000W MD_V.S.

	D	x ; y	H	n. T	n. P	Em	U0	C.M.
Football	90x55	12 ; -5	20	4	16	223	0,73	0,8

2000W MD_V.S. + 2000W MD_V.T.

	D	x ; y	H	n. T	n. P	Em	U0	C.M.
Football	107x59	17 ; -5	20	4	4+16	287	0,71	0,8
Football	100x60	8 ; -4	20	4	4+16	316	0,72	0,8
Football	120x60	5 ; -5	25	4	20+24	476	0,8	0,8
Football	105x68	2 ; -2	25	4	44+8	707	0,7	0,8
Football	105x67	5 ; -5	35	4	12+80	1201	0,73	0,8



D Field dimensions
 x;y High mast position coordinates
 H Mast height

n.T Number of masts
 n. P Number of floodlights
 Em Medium illumination

U0 General uniformity
 C.M. Maintenance factor

EPIC LIGHTING

PO Box 50940, Wierda Park, 0149286
 Research Rd, Unit 4, Pretoria West
 087 711 0267 | info@epiclighting.co.za



www.epiclighting.co.za